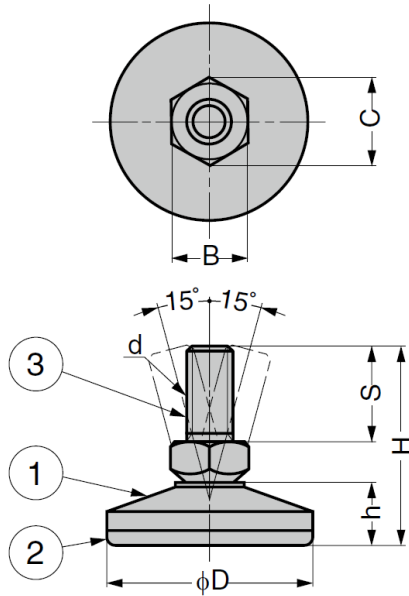


GRP Levelling Glide (With Swivel)

Features

- Swivels approximately 30° to compensate for uneven floors
- Polyamide base
- Wide variations of available bolts: M6 ~ M14
- Stainless steel threaded bolt option **GRPS** also available



No.	Part Name	Material	Finish/Colour
①	Body	Stainless Steel (SUS304)	Satin
②	Base	PA	Natural
③	Threaded Bolt	Steel (SWCH)	Coloured Zinc Chromate

Part No.	d	D	H	h	S	B	C	Load Capacity (per piece)	
GRP-25M6-G	M6	25	31	9.7	14	8	9.2	588 N	60 kg
GRP-30M8-G	M8	30	37.5	11.2	19	10	11.5	1,078 N	110 kg
GRP-30N25	W5/16								
GRP-40M10-G	M10	40	42.5	13.7	20	13	15	1,568 N	160 kg
GRP-40N3-G	W3/8								
GRP-50M12-G	M12	50	51	16	25	17	19.6	3,136 N	320 kg
GRP-70M14-G	M14	70	66.5	24.7	30	19	22	6,100 N	622 kg